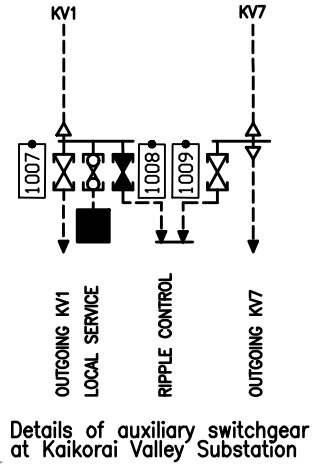


Note :- Any tie switch shown thus 363 & 1652 must be used for paralleling as indicated in Operating Instruction QP1601/32

:- DDO beyond Kenmure Rd Sub.

SW 363
L.B.



REVISION	L	M	D	E	F	G	H	I	J	K	DRAWN	D S P	-
COMP. NO	-	CFR 11252	-	328	-	-	-	-	-	CFR 9620	TRACED	C A S	01/07
DATE	10/21	10/22	06/94	06/95	09/12	08/15	06/16	12/18	03/19	08/20	CHECKED		
CHECKED	NH	NH	DLP	-	SJM	JDP	JDP	CS	CS	CS	DES.ENG		



KAIKORAI VALLEY No1 6.6kV FEEDER

DATE ISSUED
17/10/22

PAGE
KV 1